

Multiple Voltage Supervisory ICs

The ISL6131 and ISL6132 are a family of high accuracy multi voltage supervisory ICs designed to monitor voltages greater than 0.7V in applications ranging from microprocessors to industrial power systems. The **ISL6131** is an undervoltage four supply supervisor whereas the **ISL6132** is a two voltage supervisor monitoring both for undervoltage (UV) and overvoltage (OV) conditions.

Both ICs feature four external resistor programmable voltage monitoring (VMON) inputs each with a related STATUS output that individually reports the related monitor input condition. In addition there is a PGOOD (power good) signal that asserts high when the STATUS outputs are in their correct state. There is a stability delay of approximately 160ms to ensure that the monitored supply is stable before STATUS and PGOOD are released to go high. The PGOOD and STATUS outputs are open-drain to allow ORing of the signals and interfacing to a wide range of logic levels.

STATUS and PGOOD outputs are guaranteed to be valid with IC bias lower than 1V eliminating concern about STATUS and PGOOD outputs during IC bias up and down. VMON inputs are designed to ignore momentary transients on the monitored supplies.

Ordering Information

PART NUMBER	TEMP. RANGE (°C)	PACKAGE	PKG. DWG. #
ISL6131IR	-40 to +85	24 Ld 4x4 QFN	L24.4x4
ISL6132IR	-40 to +85	24 Ld 4x4 QFN	L24.4x4
ISL6131IRZA (Note)	-40 to +85	24 Ld 4x4 QFN (Pb-free)	L24.4x4
ISL6132IRZA (Note)	-40 to +85	24 Ld 4x4 QFN (Pb-free)	L24.4x4
ISL613XSUPEREVAL2	Evaluation Platform		

Add "-T" suffix for tape and reel.

NOTE: Intersil Pb-free plus anneal products employ special Pb-free material sets; molding compounds/die attach materials and 100% matte tin plate termination finish, which are RoHS compliant and compatible with both SnPb and Pb-free soldering operations. Intersil Pb-free products are MSL classified at Pb-free peak reflow temperatures that meet or exceed the Pb-free requirements of IPC/JEDEC J STD-020.

Features

- Operates from 1.5V to 5.5V Supply Voltage
- Four Adjustable Voltage Monitoring Thresholds
- 150ms STATUS/PGOOD Stability Time Delay
- Four Individual Open Drain STATUS Outputs
- Guaranteed STATUS/PGOOD Valid to $V_{DD} < 1V$
- V_{DD} and VMON Glitch Immunity
- V_{DD} Lock Out
- 4mm X 4mm QFN Package
- QFN Package:
 - Compliant to JEDEC PUB95 MO-220 QFN - Quad Flat No Leads - Package Outline
 - Near Chip Scale Package footprint, which improves PCB efficiency and has a thinner profile
- Pb-Free Plus Anneal Available (RoHS Compliant)

Applications

- Multivoltage DSPs and Processors
- μP Voltage Monitoring
- Embedded Control Systems
- Graphics Cards
- Intelligent Instruments
- Medical Equipment
- Network Routers
- Portable Battery-Powered Equipment
- Set-Top Boxes
- Telecommunications Systems

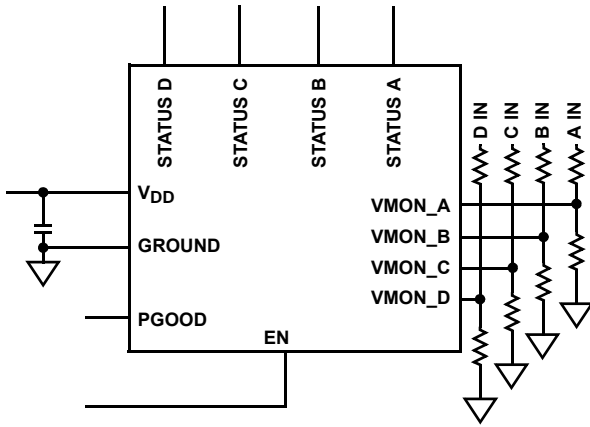


FIGURE 1. ISL6131 TYPICAL APPLICATION USAGE

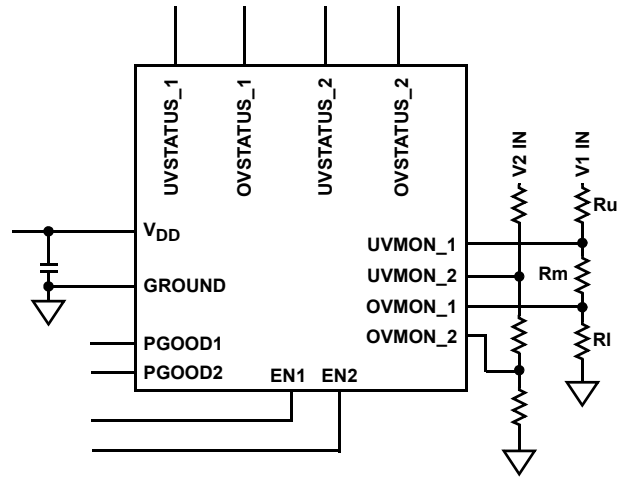
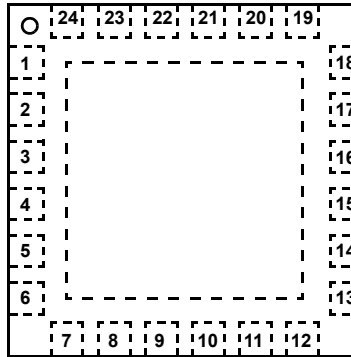


FIGURE 2. ISL6132 TYPICAL APPLICATION USAGE

ISL6131, ISL6132

Pinout

ISL6131, ISL6132 (24 LD QFN)
TOP VIEW



Pin Descriptions

PIN		PIN NAME	FUNCTION DESCRIPTION
6131	6132		
23	23	V _{DD}	Bias IC from nominal 1.5V to 5V
10	10	GND	IC ground
20	NA	V _{MON_A}	<p>On the ISL6131 these inputs provide for a programmable UV threshold referenced to an internal 0.633V. The related STATUS output will assert once the related input > internal reference voltage.</p> <p>On the ISL6132, these inputs provide for a programmable UV and OV threshold referenced to an internal 0.633V reference. In the 'AB' pair V_{MON_A} is the UV input and V_{MON_B} is the OV input. In the 'CD' pair V_{MON_C} is the UV input and V_{MON_D} is the OV input.</p> <p>These inputs have a 30μs glitch filter to prevent PGOOD reset due to a transient.</p>
12	NA	V _{MON_B}	
17	NA	V _{MON_C}	
14	NA	V _{MON_D}	
NA	12	OVMON_1	
NA	20	UVMON_1	
NA	17	UVMON_2	
NA	14	OVMON_2	
24	24	PGOOD	<p>On the ISL6131, PGOOD is the boolean AND function of all four STATUS outputs.</p> <p>On the ISL6132, PGOOD is for the AB pair and signals high when the monitored voltage is within the specified window and the A and B STATUS output states are correct.</p> <p>This is an open drain output and is to be pulled high to the appropriate level with an external resistor to a V_{DD} maximum level.</p>
NA	9	PGOOD2	<p>PGOOD2 is for the CD pair and signals high when the monitored voltage is within the specified window and when the C and D STATUS output states are correct.</p> <p>This is an open drain output and is to be pulled high to the appropriate level with an external resistor to a V_{DD} maximum level.</p>
2	NA	STATUS_A	<p>On the ISL6131 each STATUS provides a high signal through pull-up resistors about 160ms after its related VMON has continuously been > V_{uv_vth}. This delay is for stabilization of monitored voltages. STATUS will de-assert and pull low upon VMON not being satisfied for about 30μs.</p> <p>On the ISL6132 the STATUS outputs indicate compliance with a high output state for each pair of monitors.</p>
5	NA	STATUS_B	
6	NA	STATUS_C	
7	NA	STATUS_D	
NA	5	OVSTATUS_1	
NA	2	UVSTATUS_1	
NA	6	UVSTATUS_2	
NA	7	OVSTATUS_2	
1	1	EN1	On ISL6131 provides 4 voltage UV function enabling/disabling input. Internally pulled up to V _{DD} . Controls monitor 1 (AB pair) on ISL6132 .
NA	11	EN2	On ISL6132 , controls monitor 2 (CD pair) voltage, voltage monitoring function enabling input, pulled up to V _{DD} .
NC	3, 4, 8, 13, 15, 16, 18, 19, 21, 22		No Connect

ISL6131, ISL6132

Absolute Maximum Ratings

V _{DD}	+6.0V
VMON, ENABLE, STATUS, PGOOD	-0.3V to V _{DD} +0.3V
ESD Classification	2kV (HBM)

Operating Conditions

V _{DD} Supply Voltage Range	+1.5V to +5.5V
Temperature Range (T _A)	-40°C to 85°C

Thermal Information

Thermal Resistance (Typical, Notes 1, 2)	θ _{JA} (°C/W)	θ _{JC} (°C/W)
4x4 QFN Package	48	9
Maximum Junction Temperature	150°C	
Maximum Storage Temperature Range	-65°C to 150°C	
Maximum Lead Temperature (Soldering 10s)	300°C (QFN - Leads Only)	

CAUTION: Stresses above those listed in "Absolute Maximum Ratings" may cause permanent damage to the device. This is a stress only rating and operation of the device at these or any other conditions above those indicated in the operational sections of this specification is not implied.

NOTES:

1. θ_{JA} is measured with the component mounted on a high effective thermal conductivity test board in free air. See Tech Brief TB379 for details.
2. For θ_{JC}, the "case temp" location is the center of the exposed metal pad on the package underside.
3. All voltages are relative to GND, unless otherwise specified.

Electrical Specifications

Nominal V_{DD} = 1.5V to +5V, T_A = T_J = -40°C - 85°C, Unless Otherwise Specified

PARAMETER	SYMBOL	TEST CONDITIONS	MIN	TYP	MAX	UNIT
VMON/ENABLE INPUTS						
VMON Threshold	V _{VMONvth}	T _J = 25°C	619	633	647	mV
VMON Threshold Temp. Coeff.	TC _{VMONvth}	T _J from -40°C to +85°C	-	40	-	nV/°C
VMON Hysteresis	V _{VMONhys}		-	10	-	mV
VMON Glitch Filter	T _{fil}		-	30	-	μs
VMON Minimum Input Impedance	Z _{in_min}	T _j = 40°C, VMON within 63mV of V _{VMONvth}		8		MΩ
ENABLE L2H, Delay to STATUS & PGOOD		VMON valid, EN high to STATUS & PG high	-	160	-	ms
EN H2L, Delay to PGOOD		EN low to PGOOD low	-	-	0.1	μs
EN H2L, Delay to STATUS		EN low to STATUS low	-	13	-	μs
ENABLE Pull-up Voltage		EN open	-	V _{DD}	-	V
ENABLE Threshold Voltage	V _{ENVTH}		-	V _{DD} /2	-	V
STATUS/PGOOD OUTPUTS						
STATUS Pull-Down Current	I _{RSTpd}	R _{ST} = 0.1V	-	88	-	mA
STATUS/PGOOD Delay after VMON Valid	T _{delST}	VMON > V _{UVvth} to STATUS = 0.2V	-	160	-	ms
STATUS/PGOOD Output Low	V _{ol}	Measured at V _{DD} = 1.0V	-	0.04	0.1	V
BIAS						
IC Supply Current	I _{VDD_5.5V}	V _{DD} = 5V	-	170	-	μA
IC Supply Current	I _{VDD_3.3V}	V _{DD} = 3.3V	-	145	-	μA
IC Supply Current	I _{VDD_1.5V}	V _{DD} = 1.5V	-	100	-	μA
V _{DD} Power On	V _{DD_POR}	V _{DD} high to low	-	0.89	1	V
V _{DD} Power On Lock Out	V _{DD_LO}	V _{DD} low to high	-	0.91	-	V

Description and Operation

The **ISL6131** is a four voltage high accuracy supervisory IC designed to monitor multiple voltages greater than 0.7V relative to PIN 10 of the IC.

Upon V_{DD} bias power up, the STATUS and PGOOD outputs are held correctly low once V_{DD} is as low as 1V. Once biased to 1.5V the IC continuously monitors from one to four voltages independently through external resistor dividers comparing each voltage monitoring (VMON) pin voltage to an internal 0.633V ($V_{VMONvth}$) reference.

With the EN input driven high or open as each VMON input rises above $V_{VMONvth}$ a timer is set to ensure ~160ms of continuous compliance then the related STATUS output is released to be pulled high. The STATUS outputs are open-drain to allow ORing of these signals and interfacing to a logic high level up to V_{DD} . The STATUS are designed to reject short transients (~30 μ s) on the VMON inputs. Once all STATUS outputs are high a power good (PGOOD) output signal is generated high to indicate all the monitored voltages are greater than minimum compliance level.

Once any VMON input falls below $V_{VMONvth}$ for longer than the glitch filter time both the PGOOD and the related STATUS output are pulled low. The other STATUS outputs will remain high as long as their corresponding VMON voltage remains valid and the PGOOD validation process is reset.

Figure 1 illustrates **ISL6131** typical application schematic and Figure 3 is an operational timing diagram. See Figures 10 to 17 for **ISL6131** function and performance. Figures 10 and 11 show the V_{DD} rising along with STATUS and PGOOD response. Figures 12 and 13 illustrate VMON falling below $V_{VMONvth}$ and Figure 14 illustrates VMON rising above $V_{VMONvth}$ with STATUS and PGOOD response. Figure 15 shows the V_{DD} failing with STATUS and PGOOD response. Figures 16 and 17 illustrate ENABLE to STATUS and PGOOD timing.

If less than four voltages are being monitored, connect the unused VMON pins to V_{DD} for proper operation. All unused STATUS outputs can be left open.

The **ISL6132** is a dual voltage monitor for under and overvoltage compliance. Figure 2 illustrates the typical **ISL6132** implementation schematic and Figure 4 is the operational timing diagram.

There are 2 pairs of monitors each with an undervoltage (UVMON) input and overvoltage (OVMON) input along with associated STATUS and PGOOD outputs.

Upon V_{DD} bias power up, the STATUS and PGOOD outputs are held correctly low once V_{DD} is as low as 1V. Once biased to 1.5V the IC continuously monitors the voltage through external resistor dividers comparing each VMON pin voltage to an internal 0.633V reference. At proper bias the OVSTATUS are pulled high and the UVSTATUS and

PGOOD are pulled low. Once the UVMON input > the VMON V_{th} continuously for ~160ms, its associated STATUS output will release high indicating that the minimum voltage condition has been met. As both UVMON and OVMON inputs are satisfied the PGOOD output is released to go high indicating that the monitored voltage is within the specified window. Figure 18 illustrates this performance for a 4V to 5V window.

When VMON does not satisfy its voltage high or low criteria for more than the glitch filter time, the associated STATUS and PGOOD are pulled low. Figures 19 and 20 illustrate this performance for a 4V to 5V compliant window.

Figures 21-23 illustrate the VMON glitch filter timing to STATUS and PGOOD notification and transient immunity.

The ENABLE input when pulled low allows for monitoring and reporting function to be disabled. Figure 24 shows ENABLE high to PGOOD timing for compliant voltage.

When choosing resistors for the divider remember to keep the current through the string bounded by power loss tolerance at the top end and noise immunity at the bottom end. For most applications total divider resistance in the 10k Ω -100k Ω range is advisable with 1% tolerance resistors being used to reduce monitoring error.

Referencing Figures 1 and 2, choosing the two resistor values is straightforward for the ISL6131 as the ratio of resistance should equal the ratio of the desired trip voltage to the internal reference, 0.633V).

For the ISL6131, two dividers of two resistors each can be employed to monitor the OV and UV levels for each voltage. Otherwise, use a single three resistor string for each voltage. In the three resistor divider string the ratio of the desired over voltage trip point to the internal reference is equal to the ratio of the two upper resistors to the lowest (gnd connected) resistor. The desired under voltage trip point ratio to the internal reference voltage is equal to the ratio of the uppermost (voltage connected) resistor to the lower two resistors. An example follows;

1. Establish lower and upper trip level: 3.3V \pm 20% or 2.64V (UV) and 3.96V (OV)
2. Establish total resistor string value: 10k Ω , I_r = divider current
3. $(R_m+R_I)*I_r = 0.623V @ UV$ and $R_I * I_r = 0.633V @ OV$
4. $R_m+R_I = 0.623V / I_r @ UV \Rightarrow R_m+R_I = 0.623V / (2.64V / 10k\Omega) = 2.359k\Omega$
5. $R_I = 0.633V / I_r @ OV \Rightarrow R_I = 0.633V / (3.96V/10k\Omega) = 1.598k\Omega$
6. $R_m = 2.359k\Omega - 1.598k\Omega = 0.761k\Omega$
7. $R_u = 10k\Omega - 2.397k\Omega = 7.641k\Omega$
8. Choose standard value resistors that most closely approximate these ideal values. Choosing a different total divider resistance value may yield a more ideal ratio with available resistors values.

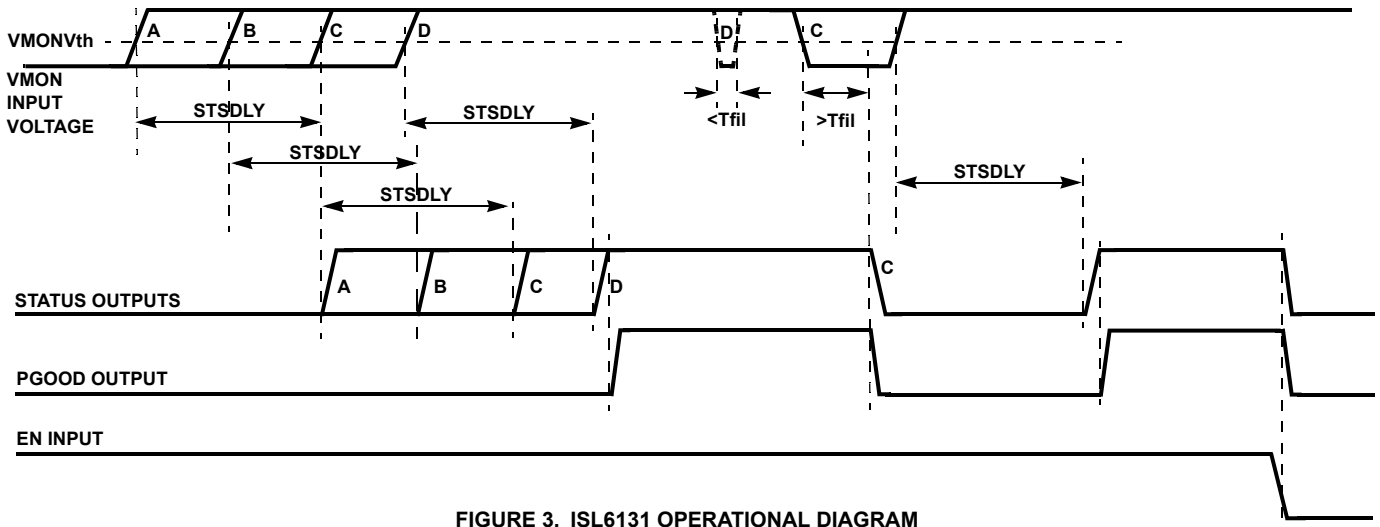


FIGURE 3. ISL6131 OPERATIONAL DIAGRAM

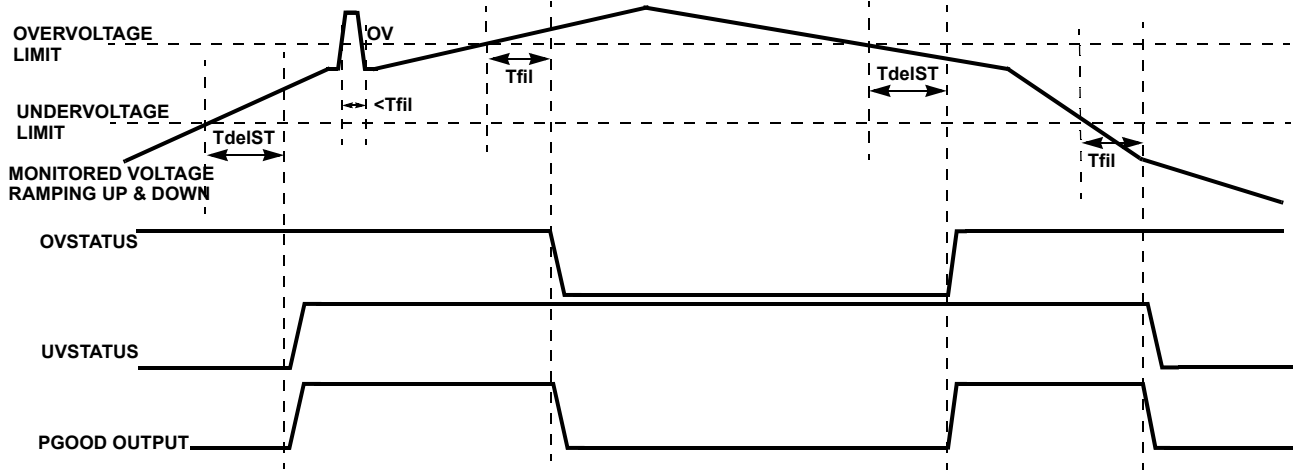


FIGURE 4. ISL6132 OPERATIONAL DIAGRAM

Typical Performance Curves

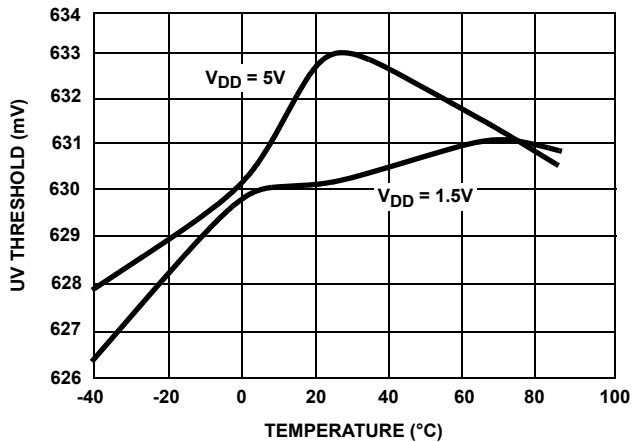


FIGURE 5. UV THRESHOLD

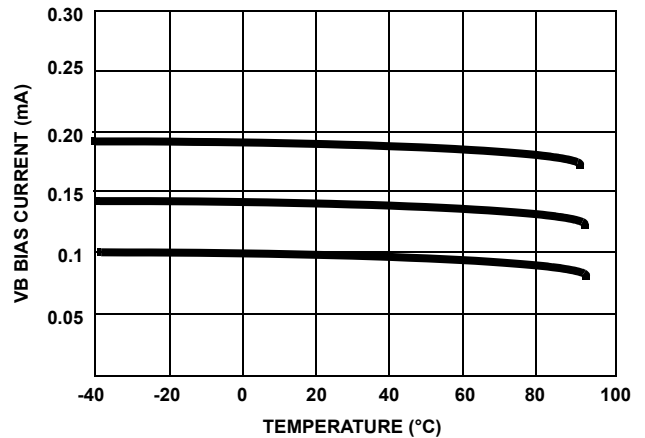


FIGURE 6. V_{DD} CURRENT

Applications Usage

Using the ISL613XSUPEREVAL2 Platform

The ISL613XSUPEREVAL2 platform is the primary evaluation board for this family of supervisors and is designed to support the **ISL6131**, **ISL6132**. In addition, it also supports the **ISL6125** sequencer as it has open drain RESET# outputs similar to the STATUS outputs of the **ISL6131** and **ISL6132**.

The ISL613XSUPEREVAL2 is shipped with a **ISL6125** soldered into the SMD channel 2 position and with 2 each of the **ISL6131** (1 socketed) and **ISL6132** loose packed. The four resistor divider strings are set so that $V_{MON} = V_{MON} V_{th}$ (0.633V) once supplies are 2.10V on the IN_D, 1.27V on IN_C, 4.27V on IN_B and 2.78V on IN_A. On the **ISL6131** these are the 4 UV levels at ~85% of 2.5V, 1.5V, 5V and 3.3V respectively.

LEDs turned off are the PGOOD high indicators with D4 being the ISL6131 indicator.

With V_{DD} ranging from 1.5V to 5V or shorted to IN_A through JP1 and with an **ISL6131** in the socket, PGOOD will release to be pulled high once those minimum conditions are met. See Figures 10 to 17 for performance and function examples.

With the **ISL6132** in the socket and IN_C and IN_D tied to a common supply and IN_A and IN_B tied to a second supply the **ISL6132** will look for a voltage between 1.27V to 2.10V on the CD pair and between 2.78V and 4.27V for the AB pair. Once either supply meets its requirement the related PGOOD will release to pull high and turn off the related LED. See Figures 18 to 24 for performance and function examples. Figures 25 and 26 illustrate the ISL613XSUPEREVAL2 platform in image and schematic.

Using the ISL6131, ISL6132 for Negative Voltage Monitoring Applications

The ISL6131, ISL6132 can be used for -V monitoring as it monitors any voltage more positive relative to its GND pin. With correct bias differential these parts can monitor any voltage regardless of polarity or amplitude.

Using the ISL6131 for 'Loss Less' Sequencing Applications

The ISL6131 can be used in a 'loss less' sequencing application where a monitored output voltage determines the start of the next sequenced turn-on. As shown in Figure 7, VMON_A input looks at the common VIN of several DC-DC converters and enables DC-DC_A with STATUS_A, once both VIN and ENABLE are satisfied. VMON_B monitors the output of DC-DC_A and when the acceptable output voltage is reached, DC-DC_B is enabled with STATUS_B output. This sequencing pattern is continued until all DC-DC outputs are on, at which time PGOOD signal will be released to indicate. 160ms delay from $V_{MON} > V_{VMONV_{th}}$ to STATUS high ensures stability at each step prior to subsequent turn-

on. Additional ISL6131s can be employed in parallel to sequence any number of DC-DC convertors in this fashion.

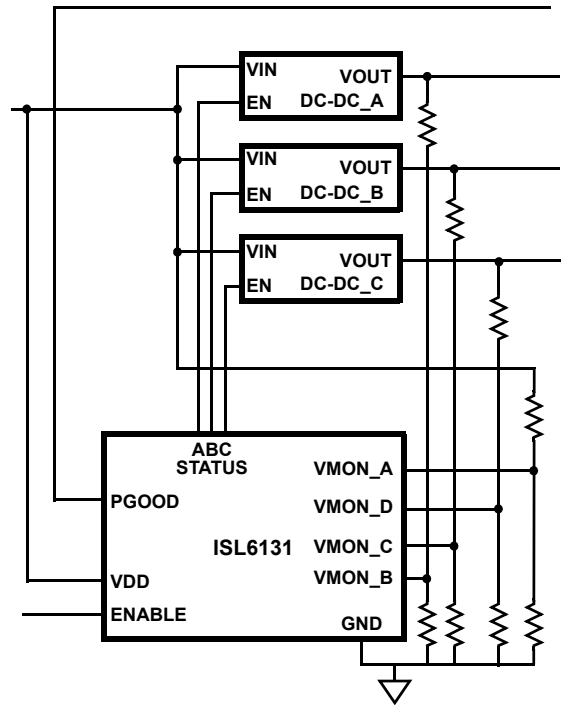


FIGURE 7. ISL6131 'LOSSLESS' SEQUENCING CONFIGURATION

Using the ISL6131 for System Voltage and Over Temperature Monitoring

Being a multivoltage monitoring IC the ISL6131 can also be used to monitor over temperature as well as voltage for a more complete coverage of system health. Using a Negative Temperature Coefficient (NTC) passive device in place of one of the resistors in a VMON divider provides over temperature monitoring either locally or remotely. Evaluations of this application configuration have involved the QT0805T-202J, QT0805Y-502J and QT0805Y-103J NTCs from Quality Thermistor.

ISL6131 over temperature monitoring is not as accurate as specific temperature monitor ICs but this implementation provides a cost efficient solution with 5% tolerances achievable.

See Figures 8 - 9 for over temp sensing configuration and operation results. In this example, the desired maximum temp is 100°C. The QT0805Y-103J NTC was placed at the end of 3 feet of twisted pair wire to emulate a remote sensing application. From the Quality Thermistor data sheet, this NTC device has a +25°C value of 10K and at +100°C a value of 0.923K. An accompanying standard value resistor of 3.83K was chosen for divider so that at 100°C, $V_{MON} \sim 0.633V$ with the bias voltage at 3.3V.

The resulting falling VMON trip point with configuration shown is ~0.634V, with ~0.642V for rising which equates to ~95°C for under temperature and ~97°C for over temperature respectively. Choosing the standard resistor value above and below R1 allows for small adjustments in the temperature trip point.

The low ISL6131 VMON temperature coefficient makes this a viable and low cost addition to complete system monitoring.

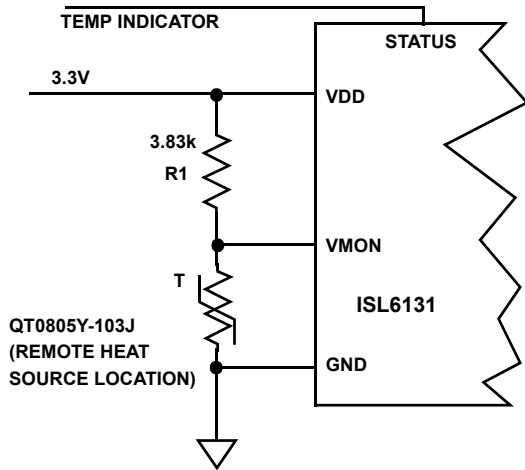


FIGURE 8. ISL6131 OVER TEMP SENSING CONFIGURATION

TEMP (°C)	VMON (V)	TEMP STATUS
25	2.36	H = Under Temp
50	1.61	H = Under Temp
75	1.01	H = Under Temp
95	0.67	H = Under Temp
100	0.61	L = Over Temp
105	0.54	L = Over Temp

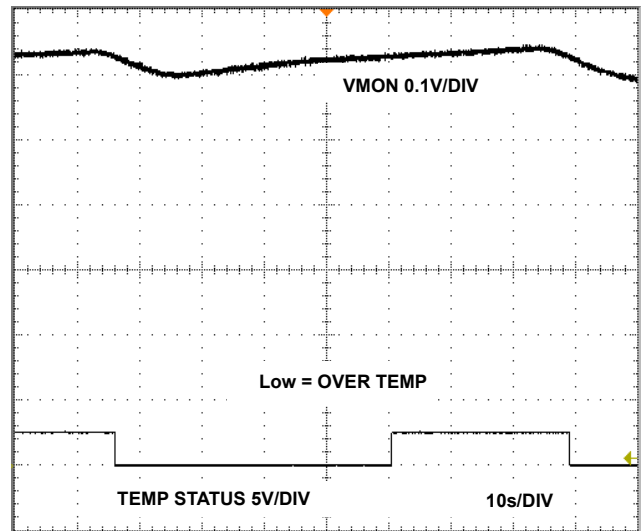


FIGURE 9. ISL6132 OVER TEMP SENSING RESULT

Functional and Performance Waveforms

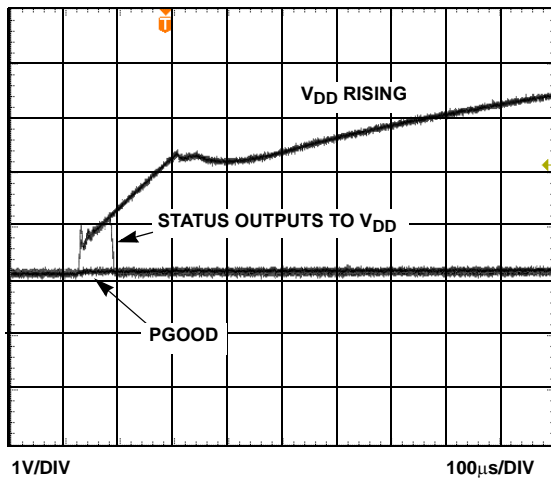


FIGURE 10. ISL6131 V_{DD} RISING

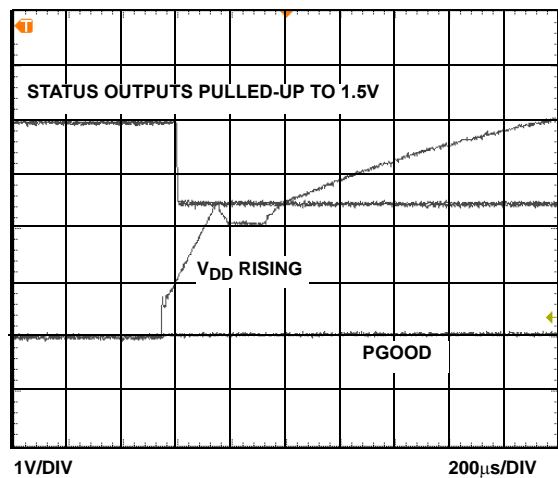


FIGURE 11. ISL6131 V_{DD} RISING WITH PULL-UP

Functional and Performance Waveforms (Continued)

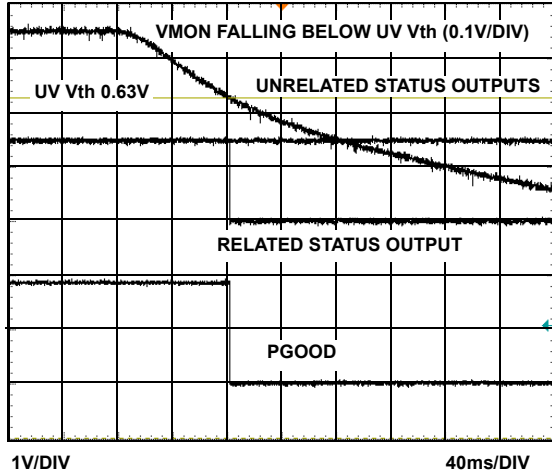


FIGURE 12. ISL6131 VMON FALLING TO PGOOD

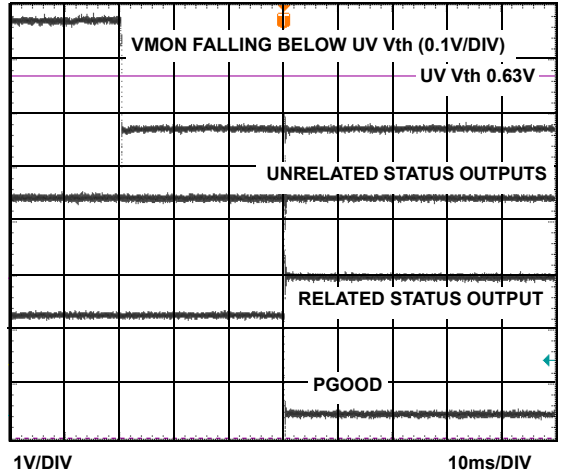


FIGURE 13. ISL6131 VMON FALLING TO PGOOD

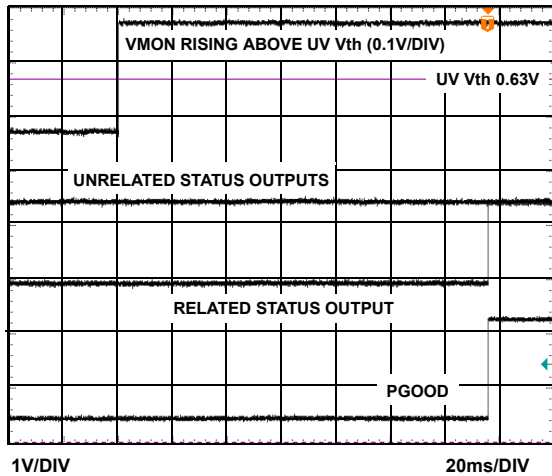


FIGURE 14. ISL6131 UV RISING TO PGOOD

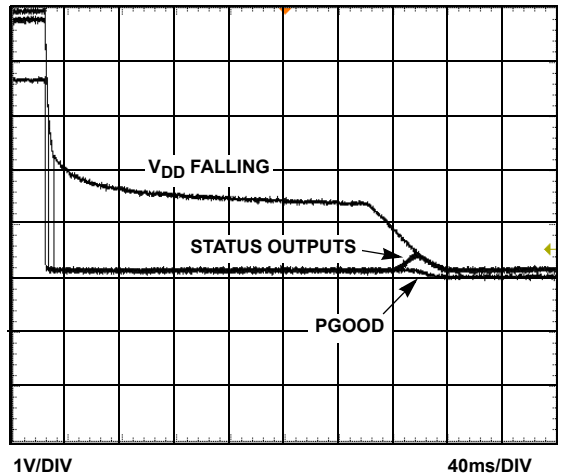


FIGURE 15. ISL6131 V_{DD} FALLING

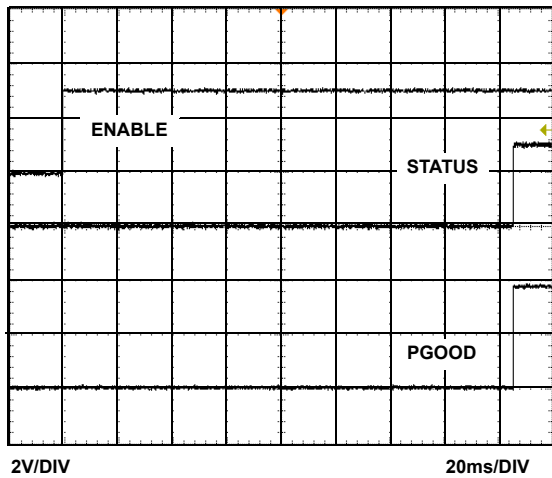


FIGURE 16. ISL6131 ENABLE L2H TO PGOOD

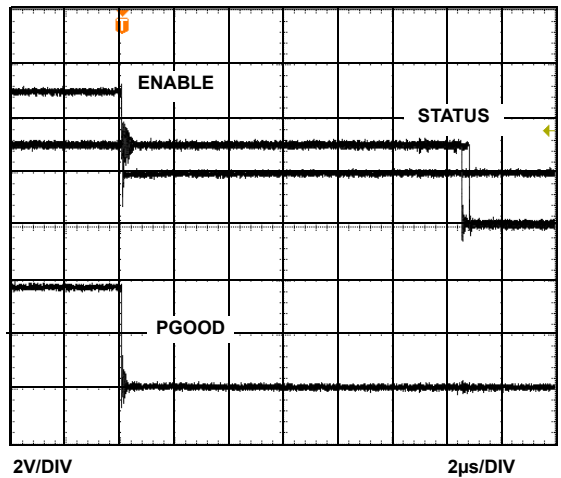


FIGURE 17. ISL6131 EN H2L TO PGOOD

Functional and Performance Waveforms (Continued)

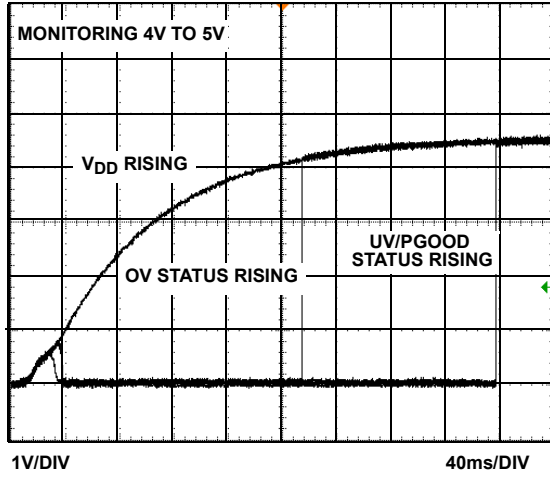


FIGURE 18. ISL6132 TURN-ON

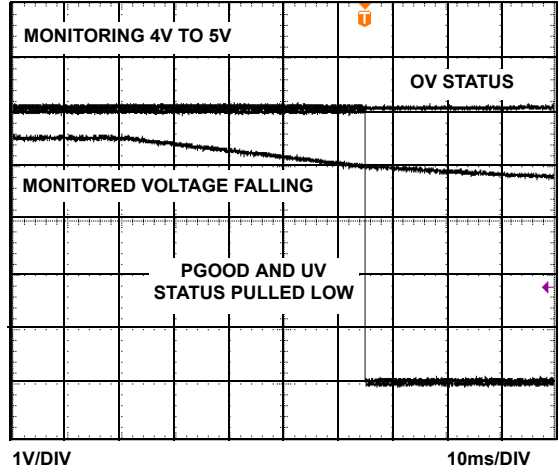


FIGURE 19. ISL6132 IN UV CONDITION

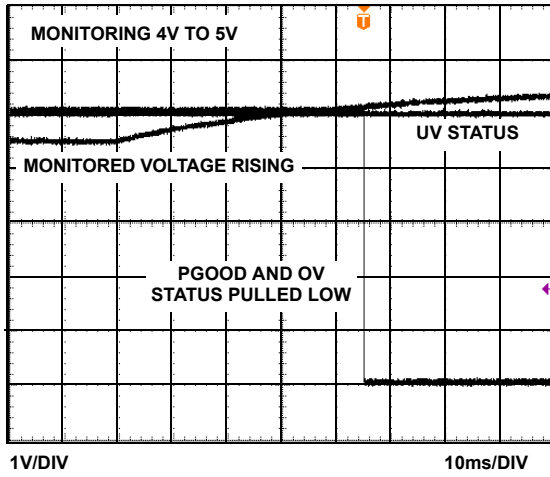


FIGURE 20. ISL6132 IN OV CONDITION

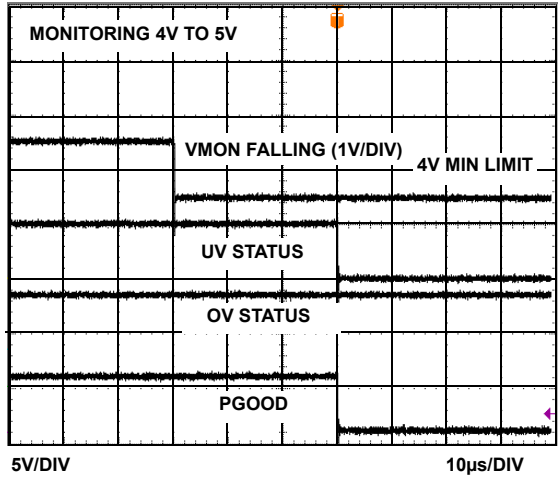


FIGURE 21. ISL6132 UV GLITCH FILTER TIMING

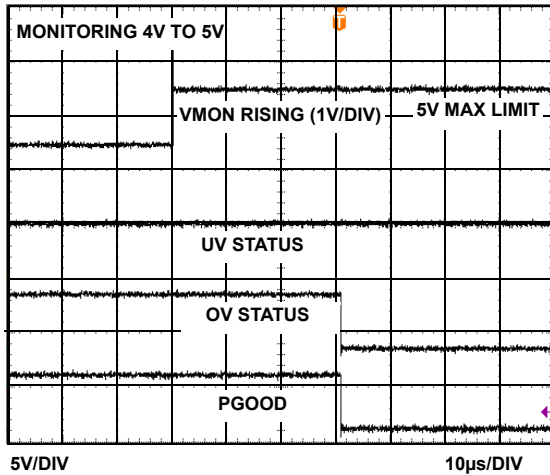


FIGURE 22. ISL6132 OV GLITCH FILTER TIMING

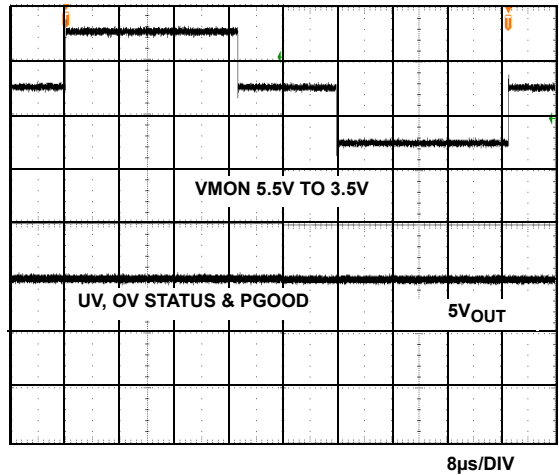


FIGURE 23. ISL6132 GLITCH FILTER TRANSIENT IMMUNITY

Functional and Performance Waveforms (Continued)

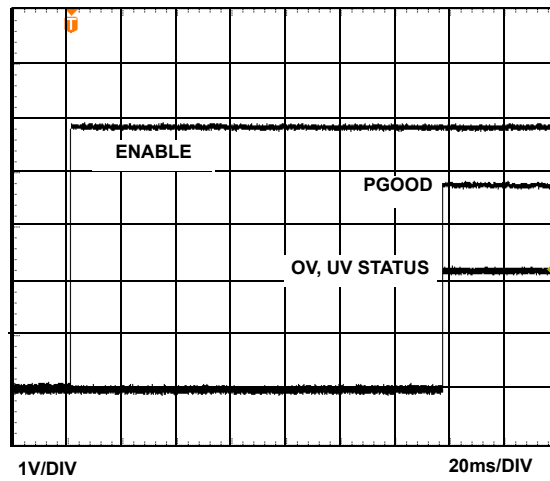


FIGURE 24. ISL6132 ENABLE TO PGOOD

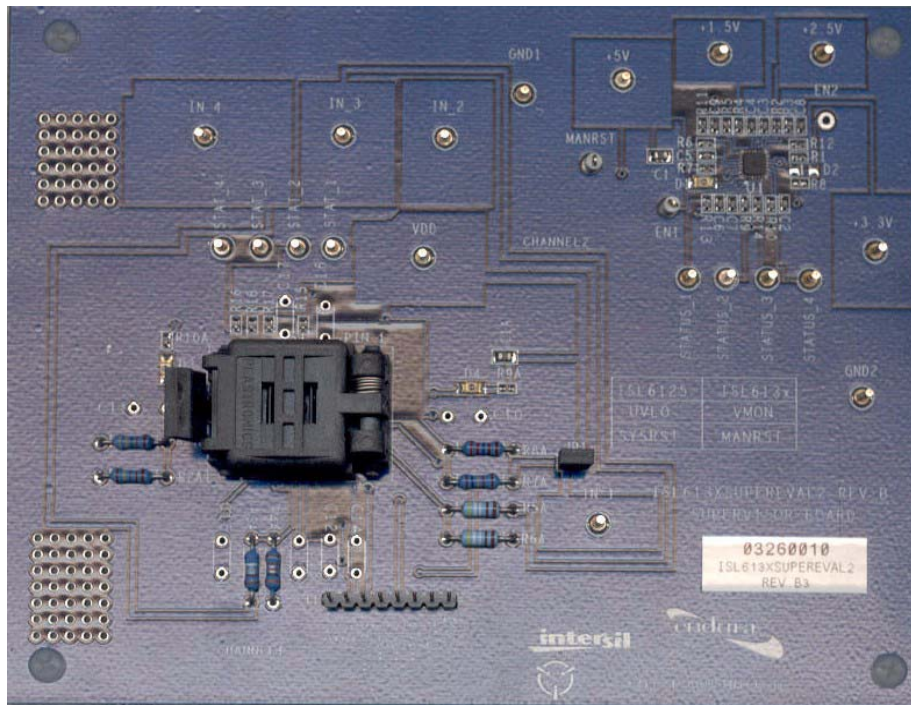


FIGURE 25. ISL613XSUPEREVAL2 PHOTOGRAPH

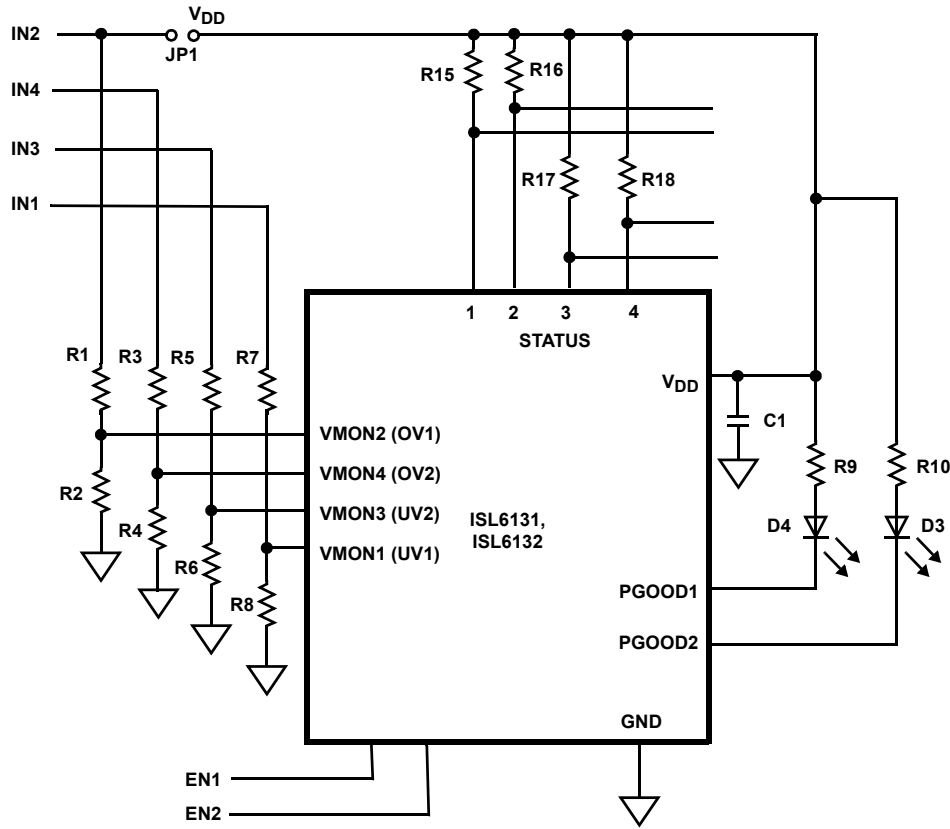


FIGURE 26. ISL613XSUPEREVAL2 CHANNEL 1 SCHEMATIC

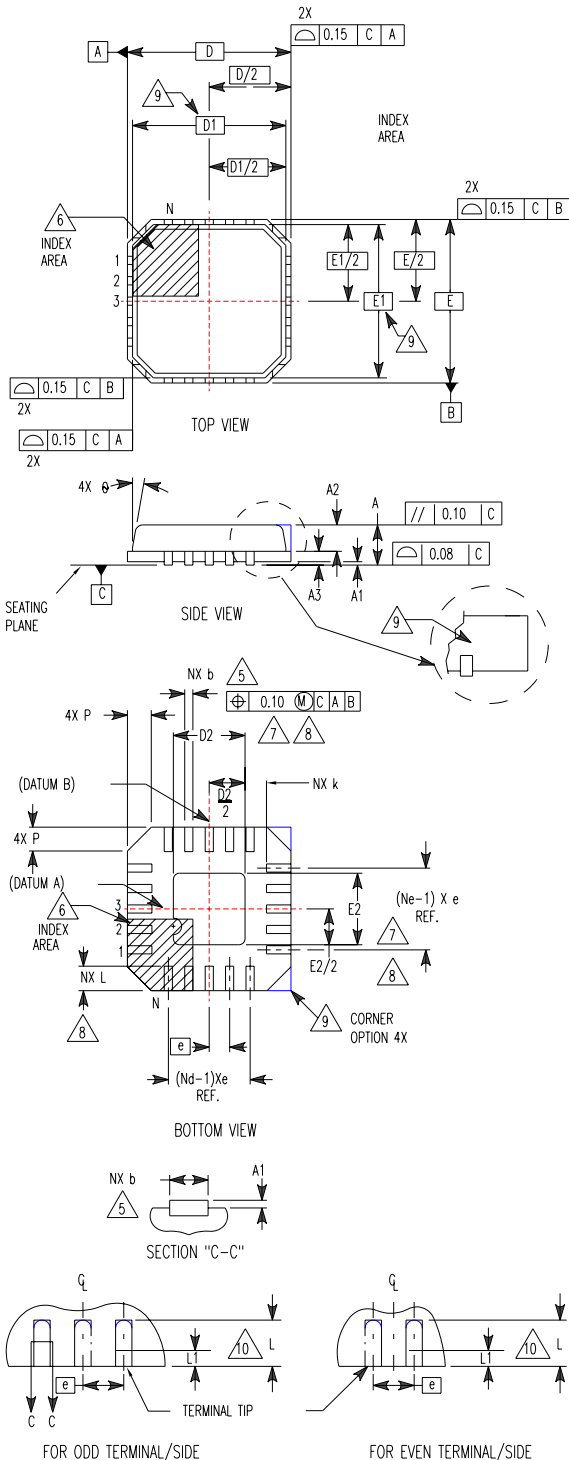
TABLE 1. ISL6131SUPEREVAL2 BOARD CHANNEL 1 COMPONENT LISTING

COMPONENT DESIGNATOR	COMPONENT FUNCTION	COMPONENT DESCRIPTION
DUT1	ISL6131, Quad Under Voltage Supervisor in socket	Intersil, ISL6131IR Quad Under Voltage Supervisor
DUT2	ISL6132, Dual Over & Under Voltage Supervisor in bag	Intersil, ISL6132IR Dual Over & Under Voltage Supervisor
R1A	IN2 to VMONB (OV1) Resistor for Divider String	8.45kΩ 1%, 0402
R2A	VMONB (OV1) to GND Resistor for Divider String	1.47kΩ 1%, 0402
R7A	IN1 to VMONA (UV1) Resistor for Divider String	7.68kΩ 1%, 0402
R8A	VMONA (UV1) to GND Resistor for Divider String	2.26kΩ 1%, 0402
R3A	IN4 to VMOND (OV2) Resistor for Divider String	6.98kΩ 1%, 0402
R4A	VMOND (OV2) to GND Resistor for Divider String	3.01kΩ 1%, 0402
R5A	IN3 to VMONC (UV2) Resistor for Divider String	4.99kΩ 1%, 0402
R6A	VMONC (UV2) to GND Resistor for Divider String	4.99kΩ 1%, 0402
R15-R18	STATUS Pull-up Resistors	5.1kΩ 10%, 0402
C1A	Decoupling Capacitor	0.1μF, 0805
D3, D4	PGOOD# INDICATOR	SMD RED LED

**Quad Flat No-Lead Plastic Package (QFN)
Micro Lead Frame Plastic Package (MLFP)**

L24.4x4

24 LEAD QUAD FLAT NO-LEAD PLASTIC PACKAGE
(COMPLIANT TO JEDEC MO-220VGGD-2 ISSUE C)



SYMBOL	MILLIMETERS			NOTES
	MIN	NOMINAL	MAX	
A	0.80	0.90	1.00	-
A1	-	-	0.05	-
A2	-	-	1.00	9
A3	0.20 REF			9
b	0.18	0.23	0.30	5, 8
D	4.00 BSC			-
D1	3.75 BSC			9
D2	1.95	2.10	2.25	7, 8
E	4.00 BSC			-
E1	3.75 BSC			9
E2	1.95	2.10	2.25	7, 8
e	0.50 BSC			-
k	0.25	-	-	-
L	0.30	0.40	0.50	8
L1	-	-	0.15	10
N	24			2
Nd	6			3
Ne	6			3
P	-	-	0.60	9
θ	-	-	12	9

Rev. 2 10/02

NOTES:

1. Dimensioning and tolerancing conform to ASME Y14.5-1994.
2. N is the number of terminals.
3. Nd and Ne refer to the number of terminals on each D and E.
4. All dimensions are in millimeters. Angles are in degrees.
5. Dimension b applies to the metallized terminal and is measured between 0.15mm and 0.30mm from the terminal tip.
6. The configuration of the pin #1 identifier is optional, but must be located within the zone indicated. The pin #1 identifier may be either a mold or mark feature.
7. Dimensions D2 and E2 are for the exposed pads which provide improved electrical and thermal performance.
8. Nominal dimensions are provided to assist with PCB Land Pattern Design efforts, see Intersil Technical Brief TB389.
9. Features and dimensions A2, A3, D1, E1, P & θ are present when Anvil singulation method is used and not present for saw singulation.
10. Depending on the method of lead termination at the edge of the package, a maximum 0.15mm pull back (L1) maybe present. L minus L1 to be equal to or greater than 0.3mm.

All Intersil U.S. products are manufactured, assembled and tested utilizing ISO9000 quality systems.
Intersil Corporation's quality certifications can be viewed at www.intersil.com/design/quality

Intersil products are sold by description only. Intersil Corporation reserves the right to make changes in circuit design, software and/or specifications at any time without notice. Accordingly, the reader is cautioned to verify that data sheets are current before placing orders. Information furnished by Intersil is believed to be accurate and reliable. However, no responsibility is assumed by Intersil or its subsidiaries for its use; nor for any infringements of patents or other rights of third parties which may result from its use. No license is granted by implication or otherwise under any patent or patent rights of Intersil or its subsidiaries.

For information regarding Intersil Corporation and its products, see www.intersil.com